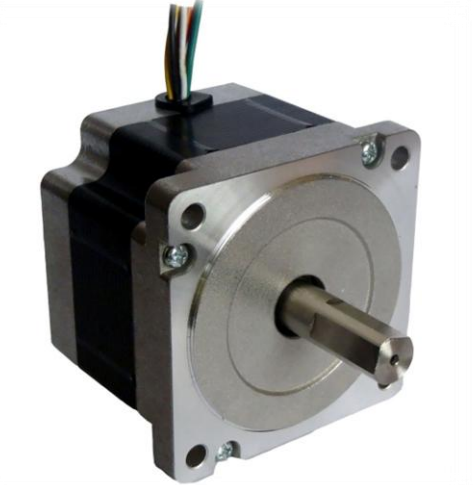


➤ Nema 34, 34H2A Stepper Motors (1.8 degree)



General specifications:

Step Accuracy ----- ±5%
 Resistance Accuracy ----- ±10%
 Inductance Accuracy ----- ±20%
 Temperature Rise ----- 80°C MAX.
 Ambient Temperature Range ----- -20°C ~ +50°C
 Storage Temperature Range ----- -30°C ~ +60°C
 Insulation Resistance ----- 100M Ω MIN. 500V DC
 Dielectric Strength ----- 820VAC , 1s, 3mA
 Radial Play ----- 0.02mm MAX. (450g Load)
 End Play ----- 0.08mm MAX. (450g Load)
 Max. radial force ----- 220N
 Max. axial force ----- 60N

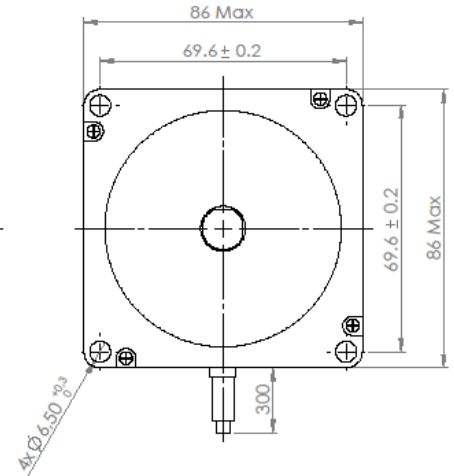
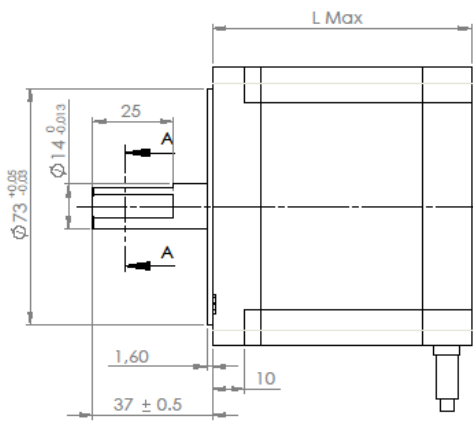
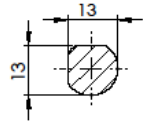
Electrical Specifications:

Series Model	Old P/N	Motor Length (mm)	Rated Current (A)	Phase Resistance (ohm)	Phase Inductance (mH)	Holding Torque (N.m Min)		Detent Torque (N.cm Max)	Rotor Inertia (g.cm ²)	Lead Wire (No.)	Motor Weight (kg)
						Unipolar	Bipolar				
34H2A6840	34HS6801	66	4.0	0.6	1.6	2.2	3.1	5.5	850	8	2.0
34H2A8850	34HS8802	78	5.0	0.5	1.8	3.0	4.2	6.5	1050	8	2.0
34H2A9850	34HS9802	98	5.0	0.65	2.4	4.9	6.9	9.5	1550	8	3.0
34H2A4850	34HS4802	114	5.0	0.75	3.2	5.8	8.1	12.5	1800	8	4.0
34H2A2850	34HS2802	126	5.0	0.85	3.4	6.4	9.0	18.5	2200	8	4.5

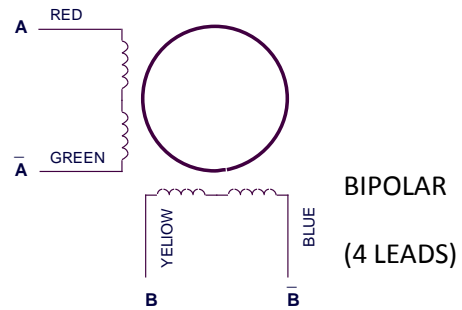
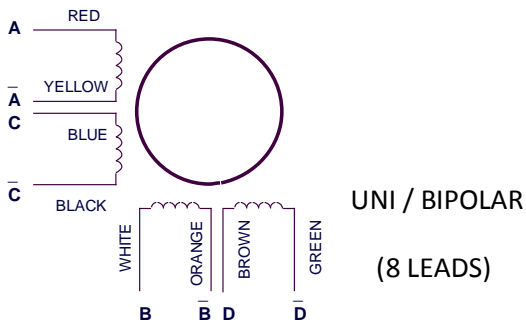
Mechanical Dimensions:

Model	Length (mm)
34H2A6X	66
34H2A8X	78
34H2A9X	98
34H2A4X	114
34H2A2X	126

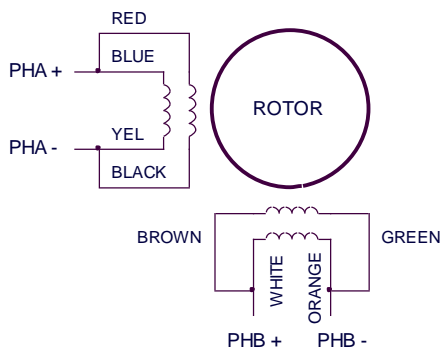
SECTION A-A
SCALE 1:1



Wiring Diagram:



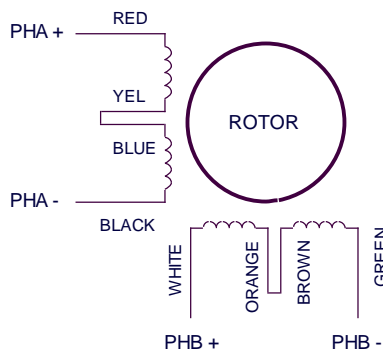
MATCHED WITH DRIVERS: **STP-048, STP-140**



Bipolar parallel wiring

$$L_{\text{phase (parallel)}} = L_{\text{phase}}$$

$$I_{\text{phase (parallel)}} = 1.41 \times I_{\text{phase}}$$

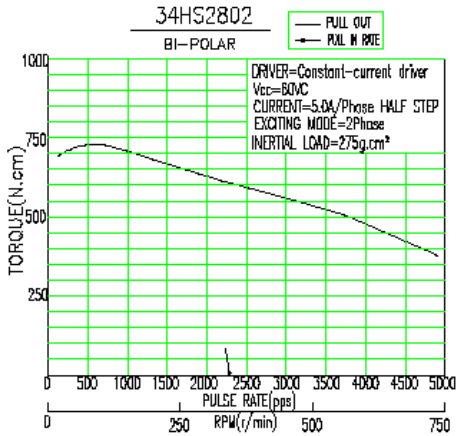


Bipolar series wiring

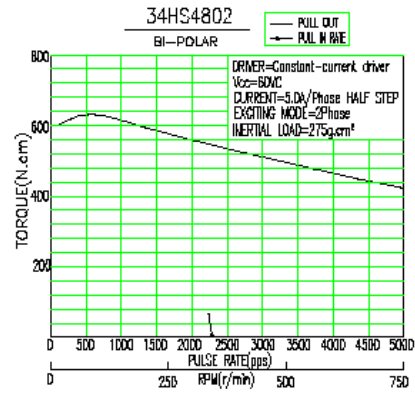
$$L_{\text{phase (series)}} = 4 \times L_{\text{phase}}$$

$$I_{\text{phase (series)}} = I_{\text{phase}}$$

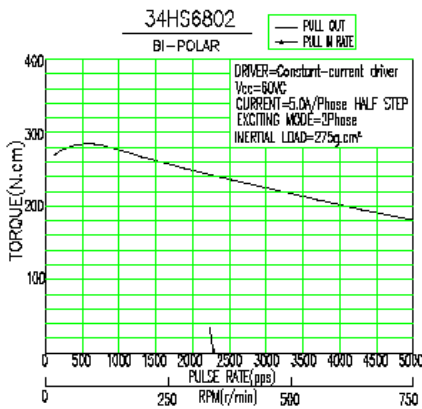
34HS2802 Curves



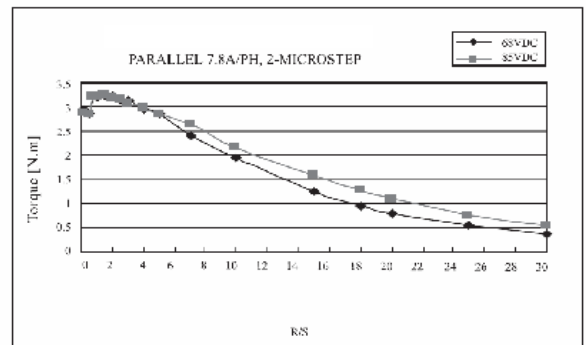
34HS4802 Curves



34HS6802 Curves



34HS8802 Curves



34HS9802 Curves

